

AMP PARTS LIST AND DESCRIPTIONS

TUBES

ITEM No.	GENERAL ELECTRIC	RAYTHEON	SYLVANIA	USE	TYPE	REMARKS
V5	Channel A AF Amp.	7199	Channel B AF Amp.	7199	Phase Inverter	
V8	Phase Inverter	7189A	Channel B Output	7189A	Channel B Output	
V7	Channel A Output	7189A	Rectifier	6Z33/5AR4		

ELECTROLYTIC CAPACITORS

ITEM No.	RATING	Stromberg-Carlson PART No.	AEROVOX PART No.	CORNING DUBINER PART No.	GENERAL ELECTRIC PART No.	ELMENCOR PART No.	MALLOY PART No.	SPRAGUE PART No.
C34A	20	111000-028	A3E13-38	C0270	XC4-49	FP376.5	TMQ-4618	TVL-4763
B	450		PR81735	EB2045		TC75		TVLPS-3380*
C	100	111000-081						TVL-1102
D	20							TVL-1105
E	450							TVL-1205
C35A	100							TVL-1205
C	100							
C36	4	111000-060	PR81400	BBR4-150	QTI-3	TT150X4	TD-4-150	
C37	4	111000-050	PR81400	BBR4-150	QTI-3	TT150X4	TD-4-150	
C38	25	111000-009	PR81280	BBR25-25	QTI-11	TC28	TD-25-25	
C39	25	111000-009	PR81280	BBR25-25	QTI-11	TC28	TD-25-25	

\* Not normally in distributor's stock. Available thru distributor on order to manufacturer.

FIXED CAPACITORS

ITEM No.	BATING	REMARKS	AEROVOX PART No.	CENTRALAB PART No.	CORNELL PART No.	ELMENCOR PART No.	MALLOY PART No.	SPRAGUE PART No.
C40	68 10%		DL-48	DD-480	LU098	CCD-480	GP468	10TS-Q68
C41	0.33 400V		P488N-033	DD-330	CUBS833	4DP-2-333	GEM-4133	8TM-S33
C42	0.33 400V		P488N-033	DD-330	CUBS833	4DP-2-333	GEM-4133	8TM-S33
C43	47 N1500 10%	#522098-470		DD-47	LU098	CCD-480	GP468	10TS-Q68
C44	68 10%		DL-48	DD-480	LU098	CCD-480	GP468	10TS-Q68
C45	-0.33 400V		P488N-033	DD-303	CUBS833	4DP-2-333	GEM-4133	8TM-S33
C46	-0.33 400V		P488N-033	DD-303	CUBS833	4DP-2-333	GEM-4133	8TM-S33
C47	47 N1500 10%	#522098-470		DD-47	LU098	CCD-480	GP468	10TS-Q68

\* Stromberg-Carlson Part Number.  
\* Not normally in distributor's stock. Available thru distributor on order to manufacturer.

CONTROLS

ITEM No.	USE	RESISTANCE	Stromberg-Carlson PART No.	CLAROSTAT PART No.	CTS-IRC PART No.	MALLOY PART No.
R56	Bias Volt Adj., Ch. A	50000	145000-097	BT-10 or (EX-10)	BU-114, TM4	PTA531L or (TA531L)
R57	Bias Volt Adj., Ch. B	50000	145000-097	BT-10 or (EX-10)	BU-114, TM4	PTA531L or (TA531L)
R58	Bias Balance, Ch. A	50000	145000-097	BT-10 or (EX-10)	BU-114, TM4	PTA531L or (TA531L)
R59	Bias Balance, Ch. B	50000	145000-097	BT-10 or (EX-10)	BU-114, TM4	PTA531L or (TA531L)

All wattages 1/2 watt, or less, unless otherwise listed.

RESISTORS

ITEM No.	RATING	REMARKS	Stromberg-Carlson PART No.	IRC PART No.	WORKMAN PART No.
R60	1.5meg				
R61	300K				
R62	1.5meg 5%				
R63	22000 5%				
R64	47K 5%				
R65	47K 5%				
R66	10000				
R67	100K				
R68	15K				
R69	100 5%				

RESISTORS (cont)

All wattages 1/2 watt, or less, unless otherwise listed.

ITEM No.	RATING	REMARKS	Stromberg-Carlson PART No.	IRC PART No.	WORKMAN PART No.
R70	47K 5%				
R71	10000				
R72	100K				
R73	15K				
R74	100 5%				
R75	43K 5%				
R76	10000				
R77	100K				
R78	15K				
R79	100				
R80	15K				

TRANSFORMER (POWER)

ITEM No.	RATING	REMARKS	Stromberg-Carlson PART No.	Merit PART No.	Stancor PART No.	Thordenson PART No.
T1	117V @ 1.15A @ .150A DC	60VCT 60V @ .150A DC	181000-231			

TRANSFORMER (AUDIO OUTPUT)

ITEM No.	IMPEDANCE	REMARKS	Stromberg-Carlson PART No.	Merit PART No.	Stancor PART No.	Thordenson PART No.
T2	83000 CT 180 Tsp @ 8Q, 40		181000-176			
T3	83000 CT 180 Tsp @ 8Q, 40		181000-176			

POWER RECTIFIERS

ITEM No.	BATING	REMARKS	Stromberg-Carlson PART No.	SARKES FAZIAN PART No.	NOTES
M7	.150A		555076-198	1N1763	

MISCELLANEOUS

ITEM No.	PART NAME	Stromberg-Carlson PART No.	NOTES
M8	Circuit Breaker	559998-041	

CABINETS & CABINET PARTS

(When Ordering Cabinets & Cabinet Parts, Specify Model, Chassis & Color)

NAME	PART No.	DESCRIPTION
Knob	134000-185	Master Gain, Balance (Front), Function
Knob	134000-126	Balance (Rear)
Knob	134000-127	Bass, Treble (Rear)
Front Panel	142000-161	Bass, Treble (Front)
Cabinet	180000-330	

WIRING DATA

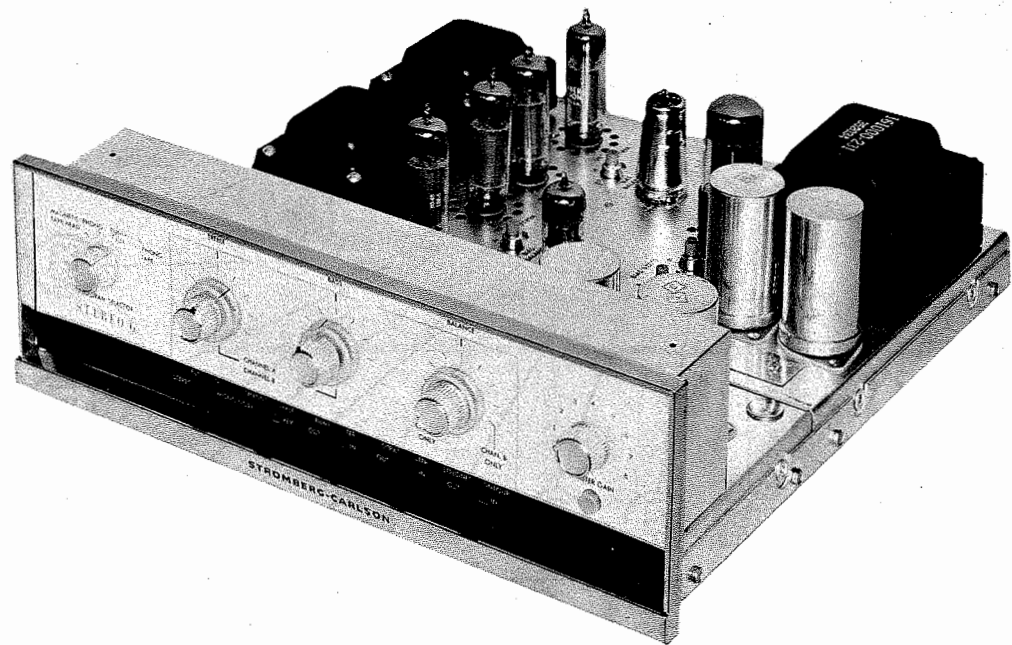
General-use Unshielded Hook-up Wire ..... Use BELDEN No. 8530 (Solid) Available in Ten Colors (See Appendix) Available in Ten Colors (See Appendix) Use BELDEN No. 1785-K (1/2 Ft. Length) Power Cord .....

FOLDER 14 SET 573

PHOTOFACT® Folder

STROMBERG-CARLSON MODELS ASE-6, ASP-60, ASR-660

STROMBERG-CARLSON MODELS ASE-6, ASP-60, ASR-660



STROMBERG-CARLSON MODELS ASE-6, ASP-60, ASR-660

TRADE NAME	Stromberg-Carlson Models ASE-6 (Preamp.), ASP-60 (Amp.), ASR-660 (Combined Unit)
MANUFACTURER	Stromberg-Carlson Co., A Div. of General Dynamics Corp., Commercial Products Div., 1400 N. Goodman Street, Rochester 9, N. Y.
TYPE SET	AC Operated 4 Tube Stereo Preampifier and 7 Tube Stereo Amplifier
POWER SUPPLY	110 - 120 Volts AC, 60 Cycles RATING 125 Watts, 1.15 Amp. @117 Volts AC

ADJUSTMENTS

**Bias & Bias Balance Adjustments**  
Connect a VTVM across the "Tube Balance A" Test Points.  
Turn Master gain control to MINIMUM and turn on the amplifier. Allow the amplifier to warm up about 5 minutes.  
Adjust the "Bias Balance A" control until the meter reads zero.  
Move the common lead of VTVM to chassis.  
Adjust "Bias Voltage A" control for .3 volts DC on the VTVM.  
Repeat the procedure for Channel B.  
Recheck reading for Channel A.  
If Bias Balance will not adjust to zero, change or interchange Output tubes in that channel.

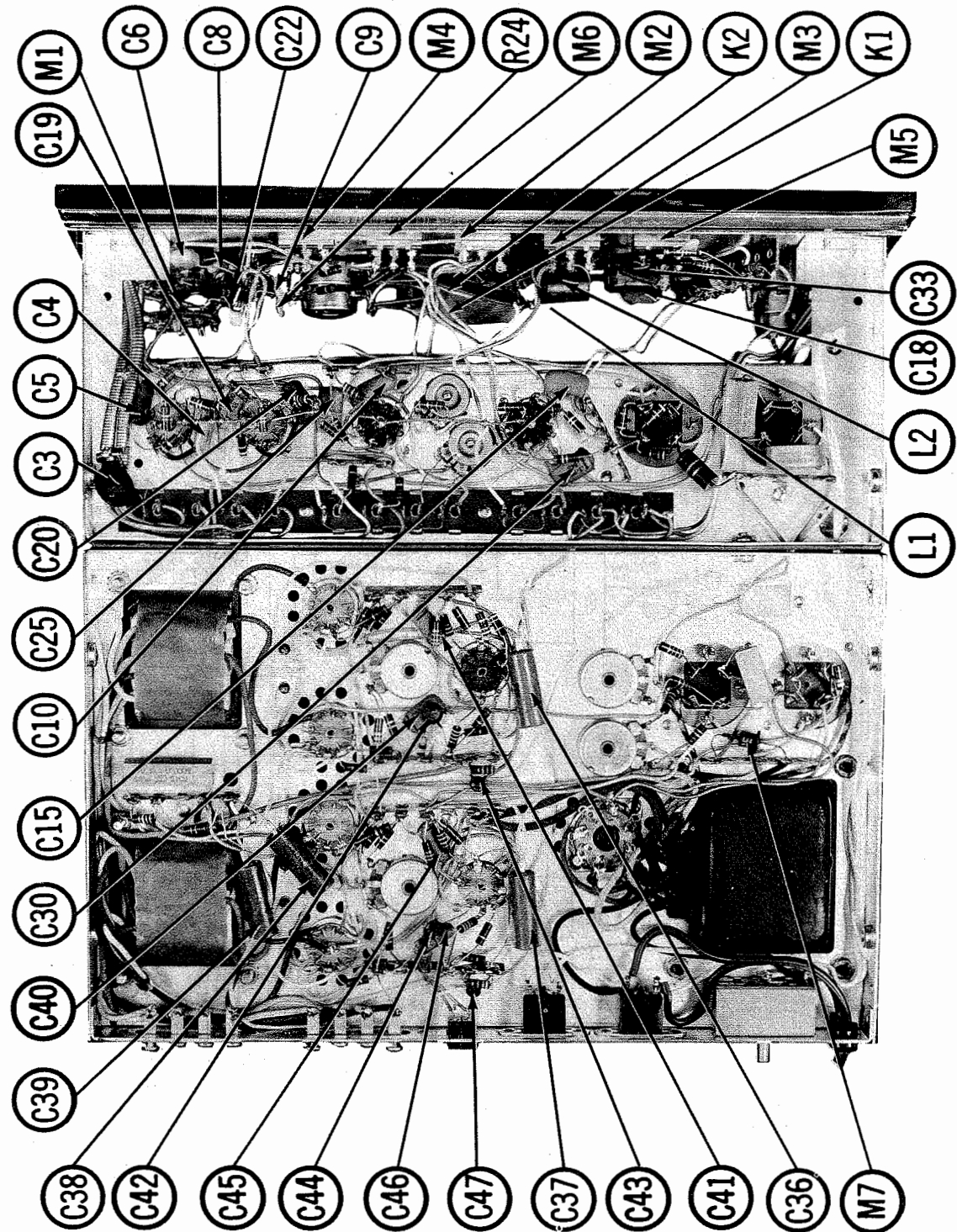
HOWARD W. SAMS & CO., INC. Indianapolis 6, Indiana



The listing of any available replacement part herein does not constitute in any case a recommendation, warranty or guaranty by Howard W. Sams & Co., Inc., as to the quality and suitability of such replacement part. The numbers of these parts have been compiled from information furnished to Howard W. Sams & Co., Inc., by the manufacturers of LVO76

the particular type of replacement part listed. Reproduction or use, without express permission, of editorial or pictorial content, in any manner, is prohibited. No patent liability is assumed with respect to the use of the information contained herein. © 1962 Howard W. Sams & Co., Inc., Indianapolis 6, Indiana. Printed in U.S. of America

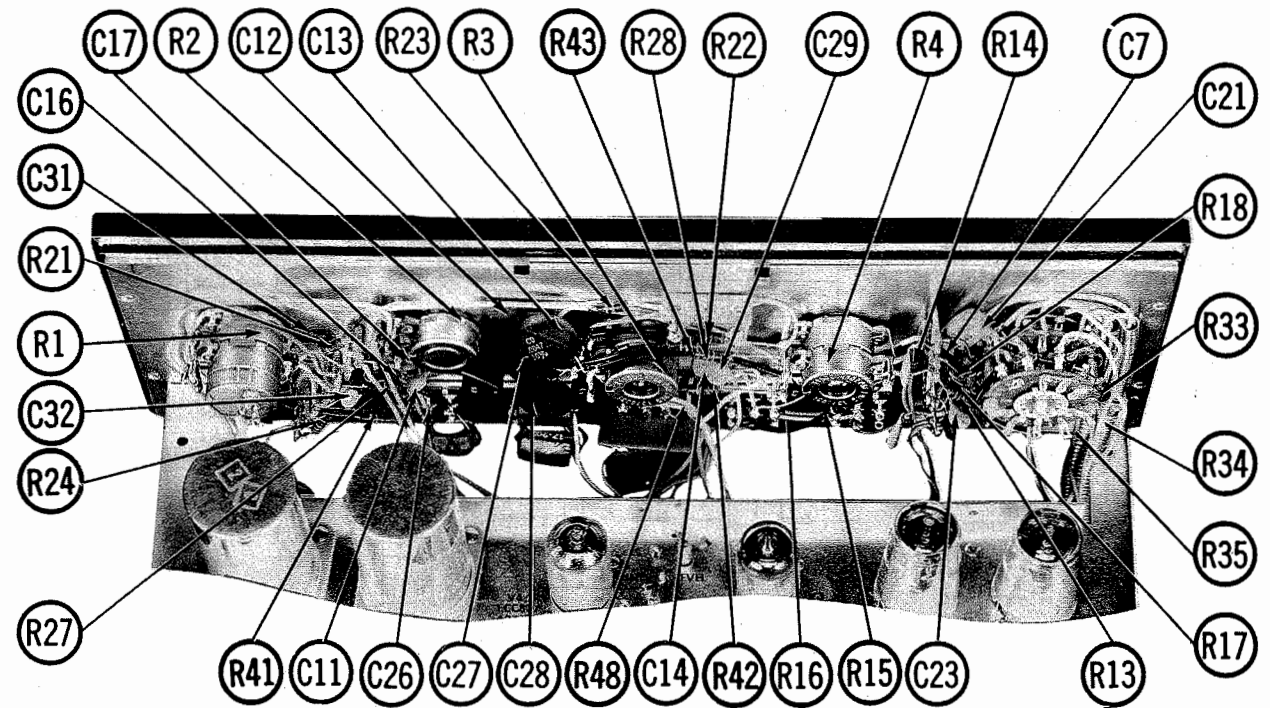




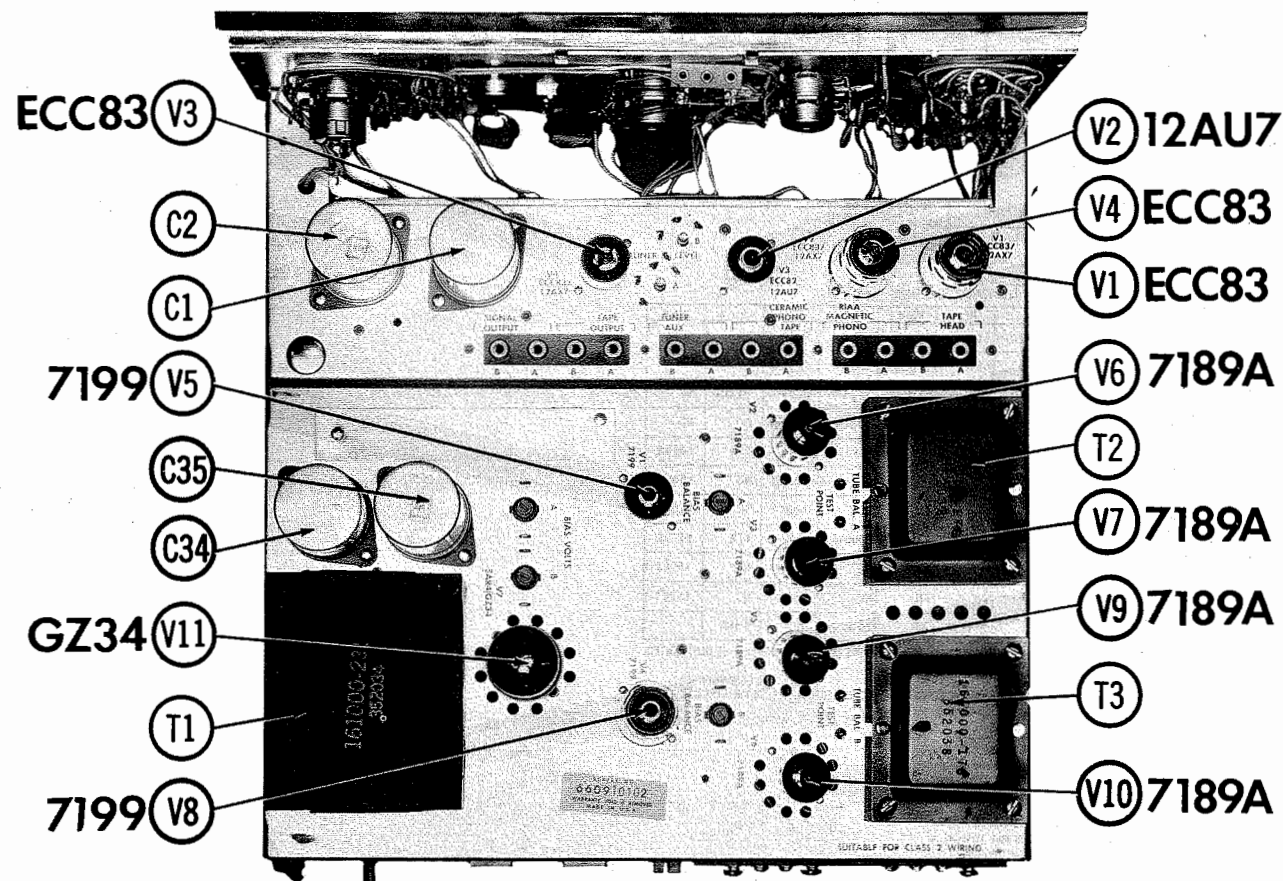
CHASSIS BOTTOM VIEW - CAPACITOR, INDUCTOR & MISC. IDENT.

STROMBERG-CARLISON  
MODEL ASE-6

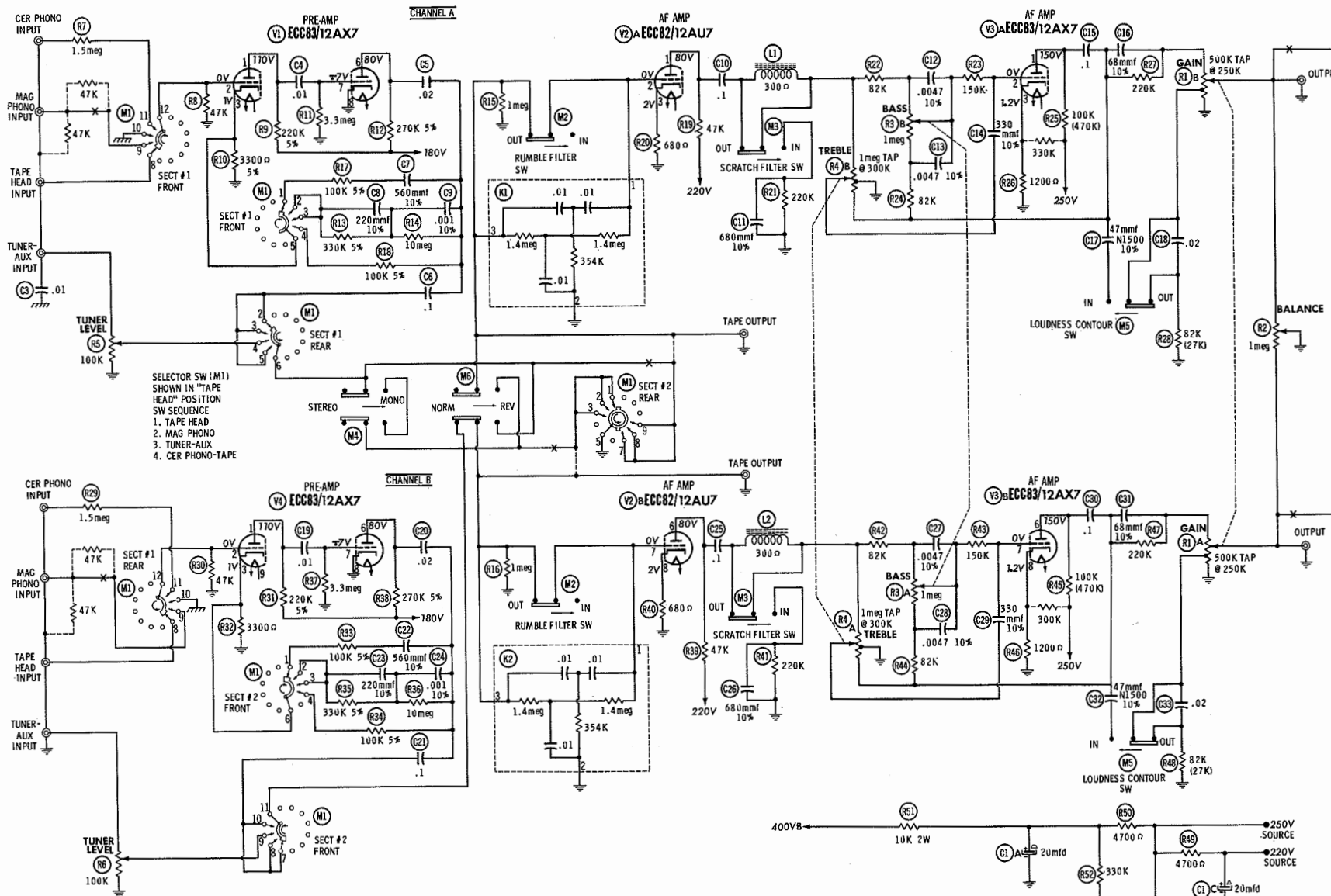
FOLDER 14



CONTROL PANEL - REAR VIEW



CHASSIS - TOP VIEW



RESISTANCE READINGS

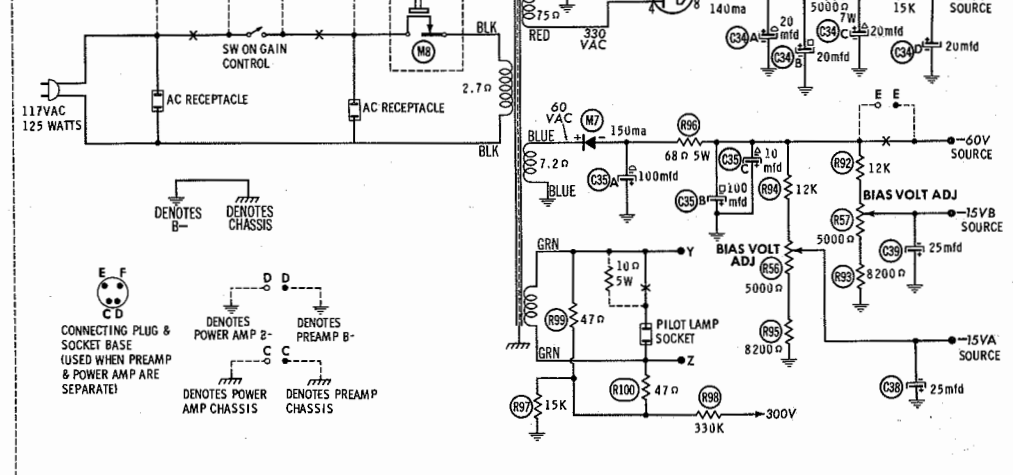
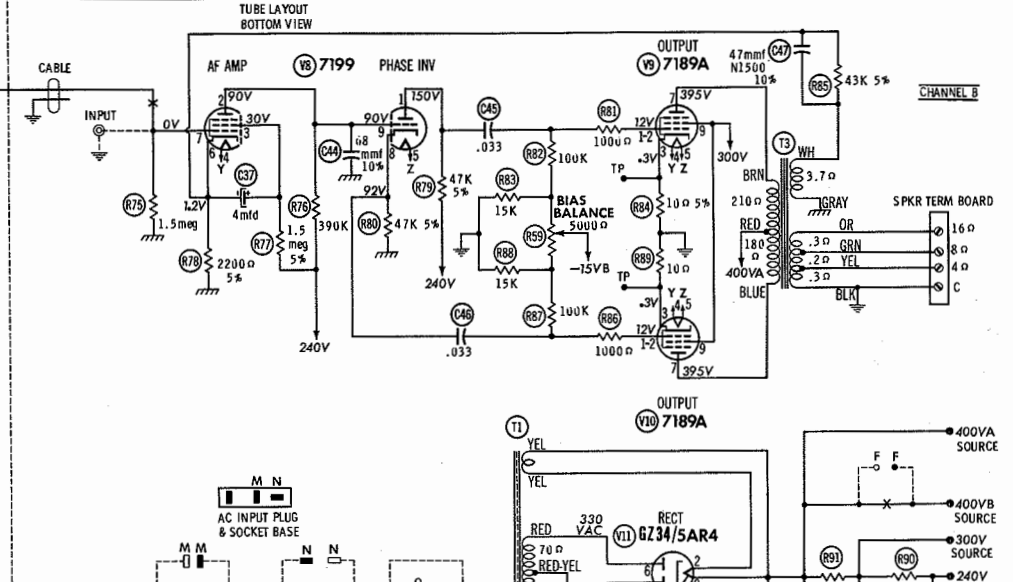
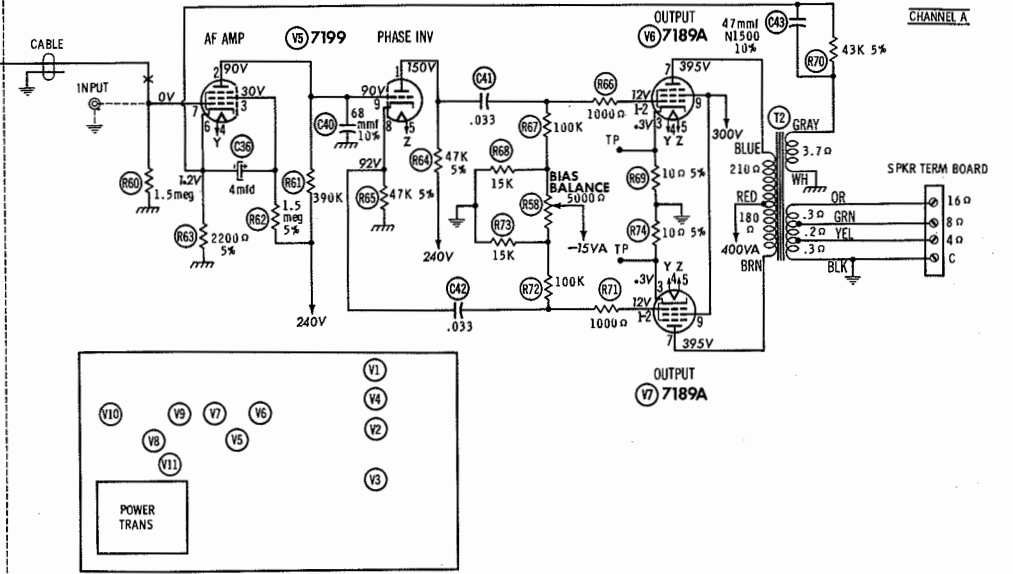
ITEM	TUBE	Pin 1	Pin 2	Pin 3	Pin 4	Pin 5	Pin 6	Pin 7	Pin 8	Pin 9
V1	ECC83 12AX7	1280K	47K	3300Ω	14Ω	0Ω	1330K	3.3meg	0Ω	NC
V2	12AU7A ECC82	166K	1meg	680Ω	43Ω	30Ω	166K	0Ω	680Ω	NC
V3	ECC83 12AX7	1115K	400K	1200Ω	55Ω	43Ω	1115K	400K	1200Ω	NC
V4	ECC83 12AX7	1280K	47K	3300Ω	30Ω	14Ω	1330K	3.3meg	0Ω	NC
V5	7199	167K	1410K	11.2meg	FIL	FIL	2200Ω	0Ω	47K	1410K
V6	7189A	NC	110K	10Ω	FIL	FIL	NC	1210Ω	NC	15000Ω
V7	7189A	NC	110K	10Ω	FIL	FIL	NC	1180Ω	NC	15000Ω
V8	7199	167K	1410K	11.2meg	FIL	FIL	2200Ω	0Ω	47K	1410K
V9	7189A	NC	110K	10Ω	FIL	FIL	NC	1210Ω	NC	15000Ω
V10	7189A	NC	110K	10Ω	FIL	FIL	NC	1180Ω	NC	15000Ω
V11	GZ34 5AR4	NC	110K	NC	75Ω	NC	70Ω	NC	1 INF	

ALL MEASUREMENTS MADE IN "STEREO TAPE" POSITION WITH ALL FILTERS OUT UNLESS OTHERWISE DESIGNATED.  
 ■ MEASURED IN "STEREO TUNER" POSITION WITH ALL FILTERS OUT.  
 † MEASURED FROM PINS OF V11. NC NO CONNECTION  
 ‡ THIS READING WILL VARY DEPENDING UPON THE CONDITION OF THE ELECTROLYTIC IN THE CIRCUIT.

1. DC voltage measurements taken with vacuum tube voltmeter;  
 AC voltages measured with 1000 ohm per volt meter.  
 2. Socket connections are shown as bottom views.  
 3. Measured values are from socket pin to common ground.  
 4. Line voltage maintained at 117 volts for voltage readings.  
 5. Nominal tolerance of component values makes possible a variation of ±1% in voltage and resistance readings.  
 6. All controls at minimum, proper output load connected.

NUMBERS ASSIGNED TO COILS, SWITCHES, PLUGS, SOCKETS, AND TRANSFORMERS ARE TO FACILITATE CIRCUIT TRACING OR COMPONENT REPLACEMENT AND MAY NOT NECESSARILY BE FOUND ON THE UNIT.

A PHOTOFAC STANDARD NOTATION SCHEMATIC  
 ©Howard W. Sams & Co., Inc. 1962



CONNECTING PLUG & SOCKET BASE USED WHEN PREAMP & POWER AMP ARE SEPARATE!

STROMBERG-CARLSON MODELS  
 ASE-6, ASP-60, ASR-660