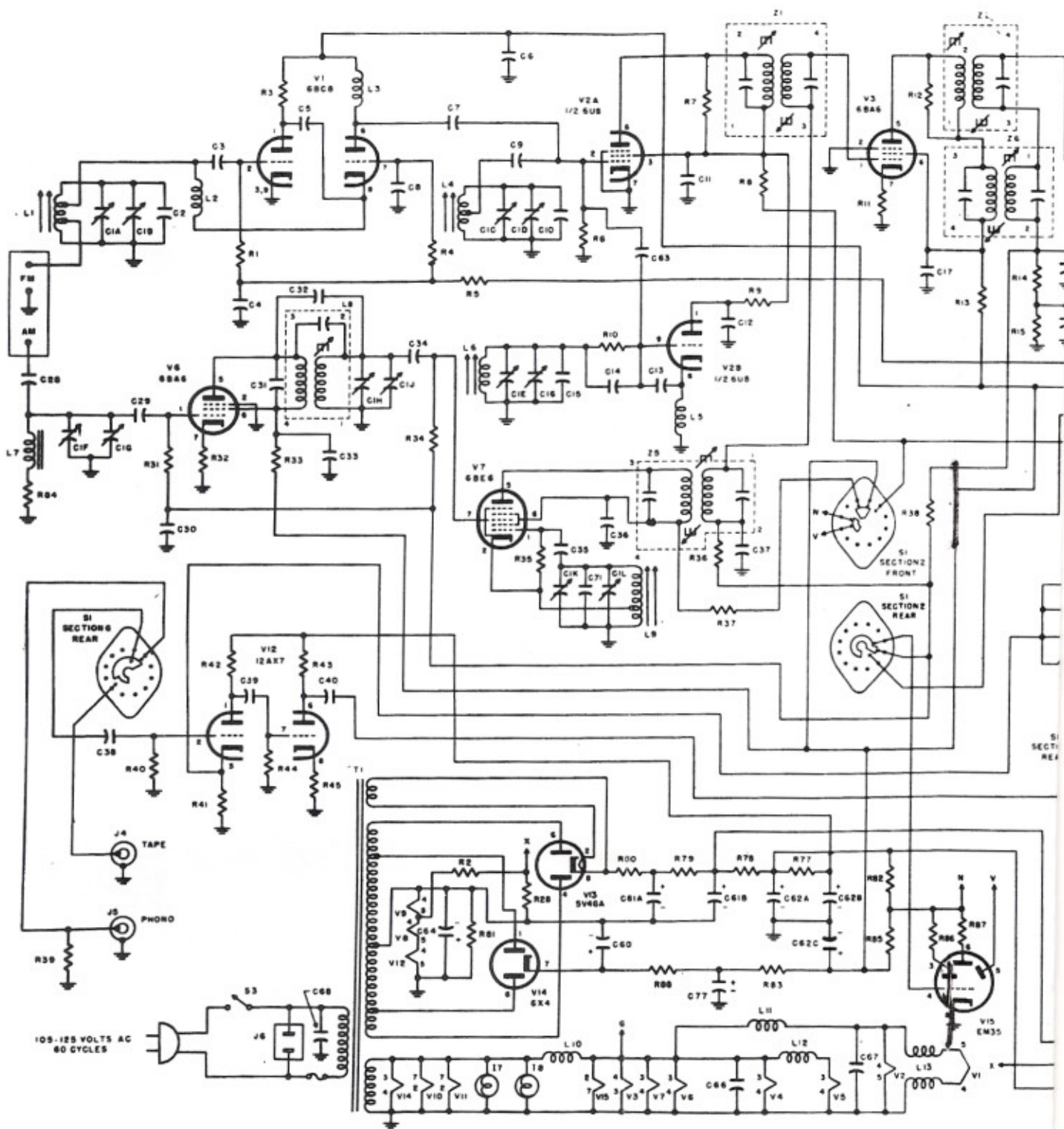


NOTE
 1. S1 IN AMP POSITION
 2. S2 LOUDNESS IN OFF POSITION

THE FISHER

MODEL K-100

SCHEMATIC DIAGRAM



THE FISHER

MODEL K-100
SCHEMATIC DIAGR