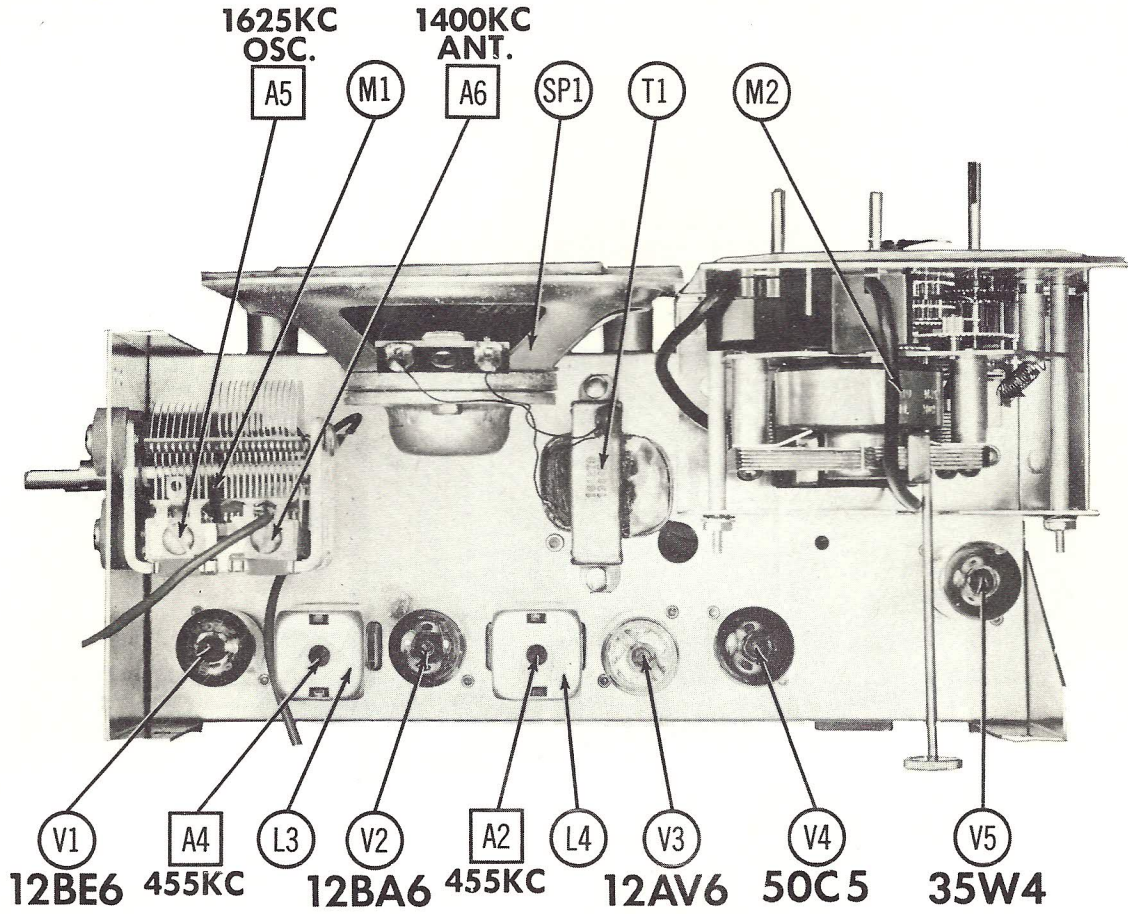


# PARTS LIST AND DESCRIPTIONS

## TUBES (SYLVANIA, GENERAL ELECTRIC, WESTINGHOUSE)

STROMBERG-CARLSON  
MODEL C-5 DELUXE

# CHASSIS—TOP VIEW



ITEM No.	USE	REPLACEMENT DATA		RETIMA BASE TYPE	NOTES
		Stromberg-Carlson PART No.	STANDARD REPLACEMENT		
V1	Converter	12BE6	12BE6	7CH	
V2	IF Amp.	12BA6	12BA6	7BK	
V3	Det.-AVC-AF Amp.	12AV6	12AV6	7BT	
V4	Audio Output	50C5	50C5	7CV	
V5	Rectifier	35W4	35W4	5BQ	

## CAPACITORS

Capacity values given in the rating column are in mfd. for Electrolytic and Paper Capacitors, and in mmfd. for Mica and Ceramic Capacitors.

ITEM No.	RATING CAP.	VOLT	REPLACEMENT DATA				SANGAMO PART No.
			Stromberg-Carlson PART No.	CENTRALAB PART No.	ERIE PART No.	MALLORY PART No.	
C1A	50	150	11124		TCD49		MTD-1550
C1B	50	150	11081	DF-503	PT415		330415
C2	.05	400	110694	D6-101	GPIK-101		K-1310
C3	100	400	110688	D6-502	GP2-333-502		C-1250
C4	.005	400					
C5A	5000						
C5B	2500						
C6	10000						
C7	.05	400	110872	DD-103	DC-511		330611
C8	.1	400	110801	DF-503	PT415		330415
			110802	DF-104	PT401		330401

♦ Items C5A, C5B, C5C, R8A and R8B are combined in one unit. When replacing items separately, C5B and C5C should total 250MMMF.

## CONTROLS

ITEM No.	RATING RESIST. RANGE	WATTS	REPLACEMENT DATA			INSTALLATION NOTES
			Stromberg-Carlson PART No.	CENTRALAB PART No.	MALLORY PART No.	
R1A	500KΩ	1/2	145185	Q13-133	B-60-S	U-48
R1B	500KΩ	1/2	Not Req.	Not Req.	Not Req.	Not Req.
R1C	Switch		Not Req.	76-1	Not Req.	US-26

## RESISTORS

ITEM No.	RATING OHMS	WATT	REPLACEMENT DATA		NOTES
			Stromberg-Carlson PART No.	IRC PART No.	
R2	22KΩ	1/2	149109	BTS-22K	
R3	150Ω	1/2	28148	BTS-150	
R4	82Ω	1/2	149111	BTS-82	Note 1
R5	47KΩ	1/2	149121	BTS-47K	
R6	2.2Meg	1/2	149121	BTS-2.2Meg	

Note 1. Not used in some versions.  
♦ Items R8A, R8B, R8C, R8D, R8E, R8F and R8G are combined in one unit.

## TRANSFORMER (AUDIO OUTPUT)

ITEM No.	IMPEDANCE PRI. SEC.	REPLACEMENT DATA			NOTES
		Stromberg-Carlson PART No.	Merit PART No.	Thornderson PART No.	
T1	2.3KΩ 3-4Ω	161279	A-3025	26558 ①	S-12X